

# META™ Arc

by WillowWood

## PRODUCT HIGHLIGHTS:

- POLYCENTRIC ANKLE
- BOLTLESS, UNIBODY CARBON FIBER DESIGN
- GREATER THAN 95% DYNAMIC SPRING ENERGY RETURN
- SPLIT KEEL
- CORROSION RESISTANT AND WATERPROOF

## OVERVIEW:

The META Arc is a moderate-to-high activity carbon fiber prosthetic foot with a revolutionary unibody design. This patent-pending breakthrough reduces weight, free of wraps, and hardware.

An integrated, biomimetic ankle joint offers unparalleled inversion and eversion range of motion.

Best of both worlds - a lightweight, dynamic spring frame returns greater than 95% energy, with a split keel for superior stability and ground compliance on various terrain.



**PDAC**  
APPROVED



✓ TRANSFEMORAL    ✓ TRANSTIBIAL  
PDAC APPROVED LCODES: L5981, L5986

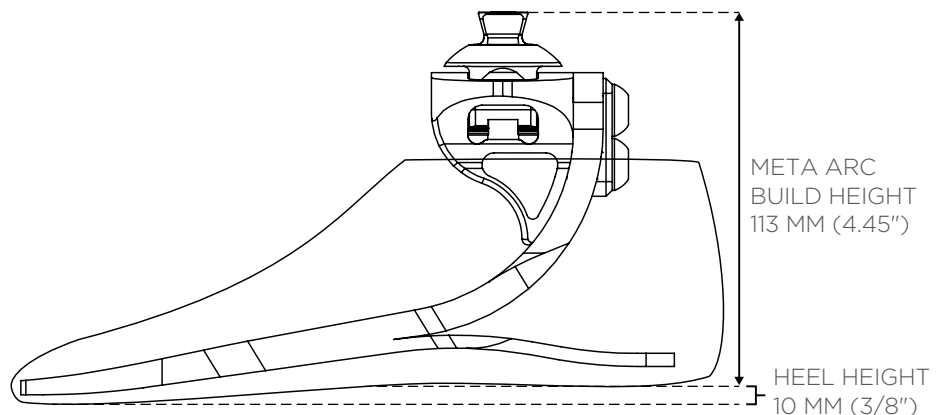
## META ARC FOOT: SPECIFICATIONS

**HEEL HEIGHT:** 10 mm (3/8")

**APPROXIMATE  
PRODUCT WEIGHT:** 718 g

\*Size 26 Category 5 with foot cover and sock

**TRIAL PERIOD:** 60 days  
from date of patient fitting



# META ARC FOOT: ORDERING INFORMATION

## K3 ACTIVITY LEVELS AND IMPACT LEVELS

<i>Adjusted User Weight</i> <i>(patient body weight + loads carried)</i>	Low	Medium	High
99-115 lbs (45-51 kg)	1	1	2
116-130 lbs (52-58 kg)	1	2	3
131-150 lbs (59-67 kg)	2	3	4
151-170 lbs (68-76 kg)	3	4	5
171-194 lbs (77-87 kg)	4	5	6
195-221 lbs (88-99 kg)	5	6	7
222-256 lbs (100-115 kg)	6	7	8
257-287 lbs (116-130 kg)	7	8	9
288-324 lbs (131-147 kg)	8	9	-
325-365 lbs (148-165 kg)	9	-	-

## HOW TO ORDER

### META Arc Foot with Spectra Sock

Ordering example:  
META Arc Foot, 25 cm, left foot, low toe resistance

**M002 - 25L - 02**

### Sandal Toe Foot Shell

Ordering example:  
Sandal Toe Foot Shell, 25 cm, left foot, tan

**FS01 - 25LT**

Model	Size of Foot	Foot	Toe Resistance	Size of Foot	Side of Foot	Color
M002 = META Arc Foot	22-28 cm	L = left R = right	01-09 (refer to the chart above)	22-28 cm	L = left R = right	B = Buff T = Tan M = Medium Brown

FOR MORE INFORMATION CALL 800.848.4930 OR 740.869.3377  
OR VISIT WILLOWWOOD.COM