

META™ Shock

by WillowWood

PRODUCT HIGHLIGHTS:

- RESPONSIVE SHOCK ABSORPTION
- LOW BUILD HEIGHT/HIGH DEFLECTION
- LIGHTWEIGHT UNIBODY CARBON FIBER DESIGN
- SPLIT KEEL
- CORROSION RESISTANT AND WATERPROOF

OVERVIEW:

The META Shock is a high activity carbon fiber prosthetic foot with a revolutionary unibody design. This patent-pending breakthrough reduces weight, free of wraps and hardware.

An integrated shock absorbing proximal adapter provides adaptive shock absorption that responds appropriately to any activity, rain or shine.

The META Shock's low build height and market leading deflection-to-build-height ratio provides multiphase shock absorption in a compact, lightweight package with high energy return.



PDAC
APPROVED



✓ TRANSFEMORAL ✓ TRANSTIBIAL
PDAC APPROVED LCODES: L5987

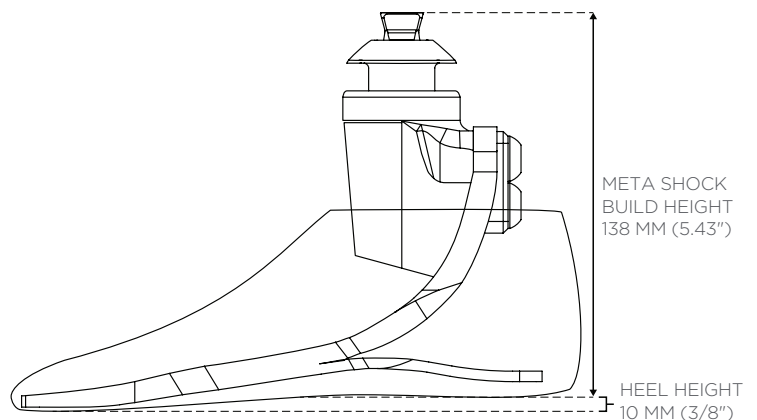
META SHOCK FOOT: SPECIFICATIONS

HEEL HEIGHT: 10 mm (3/8")

**APPROXIMATE
PRODUCT WEIGHT:** 720 g

*Size 26 Category 5 with foot cover and sock

TRIAL PERIOD: 60 days
from date of patient fitting



META SHOCK FOOT: ORDERING INFORMATION

META SHOCK FOOT CATEGORY CHART

| Adjusted User Weight (patient body weight + loads carried) | Low Impact Level | | | Medium Impact Level | | | High Impact Level | | |
|---|-------------------|-------------------|---------------|---------------------|-------------------|---------------|-------------------|-------------------|---------------|
| | Sizes 22-24 cm | Sizes 25-27 cm | Size 28 cm | Sizes 22-24 cm | Sizes 25-27 cm | Size 28 cm | Sizes 22-24 cm | Sizes 25-27 cm | Size 28 cm |
| 99-115 lbs (45-51 kg) | 1 | 1 | 1 | 1 | 1 | 1 | 2 | 2 | 2 |
| 116-130 lbs (52-58 kg) | 1 | 1 | 1 | 2 | 2 | 2 | 3 | 3 | 3 |
| 131-150 lbs (59-67 kg) | 2 | 2 | 2 | 3 | 3 | 3 | 4 | 4 | 4 |
| 151-170 lbs (68-76 kg) | 3 | 3 | 3 | 4 | 4 | 4 | 5 | 5 | 5 |
| 171-194 lbs (77-87 kg) | 4 | 4 | 4 | 5 | 5 | 5 | - | 6 | 6 |
| 195-221 lbs (88-99 kg) | 5 | 5 | 5 | - | 6 | 6 | - | 7 | 7 |
| 222-256 lbs (100-115 kg) | - | 6 | 6 | - | 7 | 7 | - | 8 | 8 |
| 257-287 lbs (116-130 kg) | - | 7 | 7 | - | 8 | 8 | - | 9 | 9 |
| 288-324 lbs (131-147 kg) | - | 8 | 8 | - | 9 | 9 | - | - | - |
| 325-365 lbs (148-165 kg) | - | 9 | 9 | - | - | - | - | - | - |

HOW TO ORDER

META Shock Foot with Spectra Sock

Ordering example:

META Shock Foot, 25 cm, left foot, toe resistance 2, medium impact

M005 - 25L - 2M

Sandal Toe Foot Shell

Ordering example:

Sandal Toe Foot Shell, 25 cm, left foot, buff

FS01 - 25LB

| Model | Size of Foot | Foot | Toe Resistance | Impact Level | Size of Foot | Side of Foot | Color |
|---------------------------------|--------------|-----------------------|---|-----------------------------------|--------------|-----------------------|---|
| M005 = META Shock Foot | 22-28 cm | L = left R = right | 1-9 (Refer to the category chart) | L = low M = medium H = high | 22-28 cm | L = left R = right | B = Buff T = Tan M = Medium Brown |