



Instructions for Use

Be sure to train the patient in the proper use and care of this product.

Device Description

The META™ Shock is part of WillowWood's META family of prosthetic feet. It features a vertical loading pylon for shock absorption and is designed for non-invasive, single patient use.

META UNIBODY COMPOSITE

- The heel and keel sections of the foot merge into a one-piece construction that is free of secondary fasteners. This eliminates excess weight, bolts, and weakened attachment points.
- The unibody design maximizes (i) energy storage and (ii) energy return from the heel and keel's full length.
- A split keel design allows forefoot adaptability.
- The separate great toe allows the use of sandal footwear.

MULTIPHASE SHOCK MODULE

- A versatile shock module absorbs impact and ground reaction forces in two phases.
- For light impact and normal walking, the first phase simultaneously engages the shock module's soft and firm bumpers.
- For heavier impact, the second phase fully engages the module's firm bumper.
- The unique shock absorption provides comfortable ambulation for all users across a range of activities.
- Modern design aesthetics with compact hardware for durable and lightweight performance.

WATERPROOF

- The META unibody composite foot and the Shock Module are designed to be waterproof.

WHAT'S IN THE BOX

- META Shock
- Spectra Sock
- Instructions
- Patient Advisory Warning



ADDITIONAL MATERIALS REQUIRED

- Sandal Toe
- Foot Shell
- Loctite 242 (or equivalent)



Indications for Use

Lower extremity prosthesis users

K3/K4

New prosthesis users

Community walkers

Participants in high impact sports.

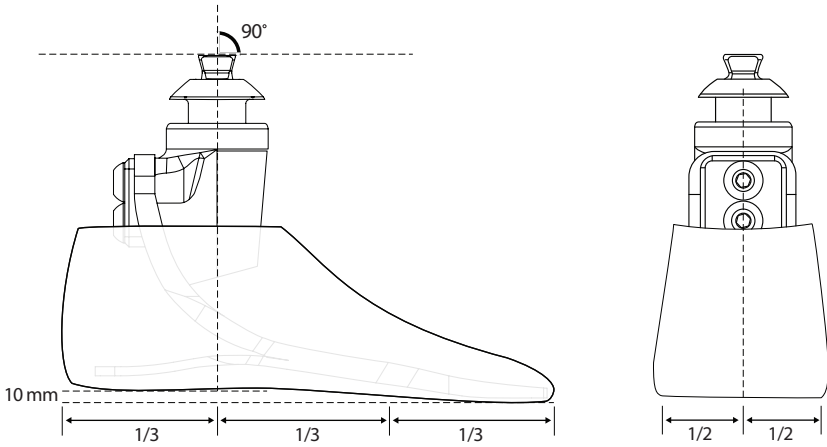
Minimum build height 138 mm (5.4" in)

Patient weight (weight of user plus any loads carried) under 166 kg (365 lb)

Contraindications for Use

Patients who do not have clearance for the Meta Shock.

Alignment



BENCH ALIGNMENT

With the socket held in the appropriate flexion and adduction angles and foot placed at the appropriate heel height for the user's shoe, place the foot such that the weight line, when viewed from the coronal plane, bisects the pyramid. When viewed from the sagittal plane, the weight line should fall at the intersection of the posterior 1/3 and anterior 2/3 of the foot.

Dynamic alignment should be optimized by translating or adjusting the relative angles of the Meta Shock foot to allow a smooth transition from heel to toe.

Technical Specifications

HEEL HEIGHT	BUILD HEIGHT	SIZES	PATIENT WEIGHT LIMIT	TOE STIFFNESS	IMPACT LEVEL	WEIGHT*	COLORS
10 mm (3/8")	138 mm (5.4")	22 cm through 28 cm	166 kg (365 lbs)	1 through 9	low, medium, high	720 g with sock and cover	Buff, Tan, Medium Brown

*Weight based on 26 cm category 5

Selection Chart

Weight (kg)	45-51	52-58	59-67	68-76	77-87	88-99	100-115	116-130	131-147	148-165
Weight (lb)	99-115	116-130	131-150	151-170	171-194	195-221	222-256	257-287	288-324	325-365
LOW IMPACT										
Sizes 22-24 cm	1	1	2	3	4	5	-	-	-	-
Sizes 25-27 cm	1	1	2	3	4	5	6	7	8	9
Size 28 cm	1	1	2	3	4	5	6	7	8	9
MEDIUM IMPACT										
Sizes 22-24 cm	1	2	3	4	5	-	-	-	-	-
Sizes 25-27 cm	1	2	3	4	5	6	7	8	9	-
Size 28 cm	1	2	3	4	5	6	7	8	9	-
HIGH IMPACT										
Sizes 22-24 cm	2	3	4	5	-	-	-	-	-	-
Sizes 25-27 cm	2	3	4	5	6	7	8	9	-	-
Size 28 cm	2	3	4	5	6	7	8	9	-	-

Part Number List

META SHOCK PART NUMBER

MØØ5-XXY-Z#

- XX - Size (22-28)
- Y - Side (L or R)
- Z - Category (1-9)
- # - Impact Level (L,M,H)

FOOT SHELL PART NUMBER

FSØ1-XXY-Z

- XX - Size (22-28)
- Y - Side (L or R)
- Z - Color (B, T, or M)

META SHOCK

Part Number	Description
M005-22L-1L	Meta Shock Foot Module 22cm Left Category 1 Low Impact
M005-22L-1M	Meta Shock Foot Module 22cm Left Category 1 Medium Impact
M005-22L-1H	Meta Shock Foot Module 22cm Left Category 1 High Impact
M005-22L-2L	Meta Shock Foot Module 22cm Left Category 2 Low Impact
M005-22L-2M	Meta Shock Foot Module 22cm Left Category 2 Medium Impact
M005-22L-2H	Meta Shock Foot Module 22cm Left Category 2 High Impact
M005-22L-3L	Meta Shock Foot Module 22cm Left Category 3 Low Impact
M005-22L-3M	Meta Shock Foot Module 22cm Left Category 3 Medium Impact
M005-22L-3H	Meta Shock Foot Module 22cm Left Category 3 High Impact
M005-22L-4L	Meta Shock Foot Module 22cm Left Category 4 Low Impact
M005-22L-4M	Meta Shock Foot Module 22cm Left Category 4 Medium Impact
M005-22L-4H	Meta Shock Foot Module 22cm Left Category 4 High Impact
M005-22L-5L	Meta Shock Foot Module 22cm Left Category 5 Low Impact
M005-22L-5M	Meta Shock Foot Module 22cm Left Category 5 Medium Impact
M005-22L-5H	Meta Shock Foot Module 22cm Left Category 5 High Impact

M005-22R-1L	Meta Shock Foot Module 22cm Right Category 1 Low Impact
M005-22R-1M	Meta Shock Foot Module 22cm Right Category 1 Medium Impact
M005-22R-1H	Meta Shock Foot Module 22cm Right Category 1 High Impact
M005-22R-2L	Meta Shock Foot Module 22cm Right Category 2 Low Impact
M005-22R-2M	Meta Shock Foot Module 22cm Right Category 2 Medium Impact
M005-22R-2H	Meta Shock Foot Module 22cm Right Category 2 High Impact
M005-22R-3L	Meta Shock Foot Module 22cm Right Category 3 Low Impact
M005-22R-3M	Meta Shock Foot Module 22cm Right Category 3 Medium Impact
M005-22R-3H	Meta Shock Foot Module 22cm Right Category 3 High Impact
M005-22R-4L	Meta Shock Foot Module 22cm Right Category 4 Low Impact
M005-22R-4M	Meta Shock Foot Module 22cm Right Category 4 Medium Impact
M005-22R-4H	Meta Shock Foot Module 22cm Right Category 4 High Impact
M005-22R-5L	Meta Shock Foot Module 22cm Right Category 5 Low Impact
M005-22R-5M	Meta Shock Foot Module 22cm Right Category 5 Medium Impact
M005-22R-5H	Meta Shock Foot Module 22cm Right Category 5 High Impact

M005-23L-1L	Meta Shock Foot Module 23cm Left Category 1 Low Impact
M005-23L-1M	Meta Shock Foot Module 23cm Left Category 1 Medium Impact
M005-23L-1H	Meta Shock Foot Module 23cm Left Category 1 High Impact
M005-23L-2L	Meta Shock Foot Module 23cm Left Category 2 Low Impact
M005-23L-2M	Meta Shock Foot Module 23cm Left Category 2 Medium Impact
M005-23L-2H	Meta Shock Foot Module 23cm Left Category 2 High Impact
M005-23L-3L	Meta Shock Foot Module 23cm Left Category 3 Low Impact
M005-23L-3M	Meta Shock Foot Module 23cm Left Category 3 Medium Impact
M005-23L-3H	Meta Shock Foot Module 23cm Left Category 3 High Impact
M005-23L-4L	Meta Shock Foot Module 23cm Left Category 4 Low Impact
M005-23L-4M	Meta Shock Foot Module 23cm Left Category 4 Medium Impact
M005-23L-4H	Meta Shock Foot Module 23cm Left Category 4 High Impact
M005-23L-5L	Meta Shock Foot Module 23cm Left Category 5 Low Impact
M005-23L-5M	Meta Shock Foot Module 23cm Left Category 5 Medium Impact
M005-23L-5H	Meta Shock Foot Module 23cm Left Category 5 High Impact

M005-23R-1L	Meta Shock Foot Module 23cm Right Category 1 Low Impact
M005-23R-1M	Meta Shock Foot Module 23cm Right Category 1 Medium Impact
M005-23R-1H	Meta Shock Foot Module 23cm Right Category 1 High Impact
M005-23R-2L	Meta Shock Foot Module 23cm Right Category 2 Low Impact
M005-23R-2M	Meta Shock Foot Module 23cm Right Category 2 Medium Impact
M005-23R-2H	Meta Shock Foot Module 23cm Right Category 2 High Impact
M005-23R-3L	Meta Shock Foot Module 23cm Right Category 3 Low Impact
M005-23R-3M	Meta Shock Foot Module 23cm Right Category 3 Medium Impact
M005-23R-3H	Meta Shock Foot Module 23cm Right Category 3 High Impact
M005-23R-4L	Meta Shock Foot Module 23cm Right Category 4 Low Impact
M005-23R-4M	Meta Shock Foot Module 23cm Right Category 4 Medium Impact
M005-23R-4H	Meta Shock Foot Module 23cm Right Category 4 High Impact
M005-23R-5L	Meta Shock Foot Module 23cm Right Category 5 Low Impact
M005-23R-5M	Meta Shock Foot Module 23cm Right Category 5 Medium Impact
M005-23R-5H	Meta Shock Foot Module 23cm Right Category 5 High Impact

CORRESPONDING FOOT SHELL

Part Number	Description
F501-22LB	Sandal Toe Foot Shell 22cm Left Buff
F501-22LT	Sandal Toe Foot Shell 22cm Left Tan
F501-22LM	Sandal Toe Foot Shell 22cm Left Medium Brown

F501-22RB	Sandal Toe Foot Shell 22cm Right Buff
F501-22RT	Sandal Toe Foot Shell 22cm Right Tan
F501-22RM	Sandal Toe Foot Shell 22cm Right Medium Brown

F501-23LB	Sandal Toe Foot Shell 23cm Left Buff
F501-23LT	Sandal Toe Foot Shell 23cm Left Tan
F501-23LM	Sandal Toe Foot Shell 23cm Left Medium Brown

F501-23RB	Sandal Toe Foot Shell 23cm Right Buff
F501-23RT	Sandal Toe Foot Shell 23cm Right Tan
F501-23RM	Sandal Toe Foot Shell 23cm Right Medium Brown

Part Number List (continued)

META SHOCK	
Part Number	Description
M005-28R-1L	Meta Shock Foot Module 28cm Right Category 1 Low Impact
M005-28R-1M	Meta Shock Foot Module 28cm Right Category 1 Medium Impact
M005-28R-1H	Meta Shock Foot Module 28cm Right Category 1 High Impact
M005-28R-2L	Meta Shock Foot Module 28cm Right Category 2 Low Impact
M005-28R-2M	Meta Shock Foot Module 28cm Right Category 2 Medium Impact
M005-28R-2H	Meta Shock Foot Module 28cm Right Category 2 High Impact
M005-28R-3L	Meta Shock Foot Module 28cm Right Category 3 Low Impact
M005-28R-3M	Meta Shock Foot Module 28cm Right Category 3 Medium Impact
M005-28R-3H	Meta Shock Foot Module 28cm Right Category 3 High Impact
M005-28R-4L	Meta Shock Foot Module 28cm Right Category 4 Low Impact
M005-28R-4M	Meta Shock Foot Module 28cm Right Category 4 Medium Impact
M005-28R-4H	Meta Shock Foot Module 28cm Right Category 4 High Impact
M005-28R-5L	Meta Shock Foot Module 28cm Right Category 5 Low Impact
M005-28R-5M	Meta Shock Foot Module 28cm Right Category 5 Medium Impact
M005-28R-5H	Meta Shock Foot Module 28cm Right Category 5 High Impact
M005-28R-6L	Meta Shock Foot Module 28cm Right Category 6 Low Impact
M005-28R-6M	Meta Shock Foot Module 28cm Right Category 6 Medium Impact
M005-28R-6H	Meta Shock Foot Module 28cm Right Category 6 High Impact
M005-28R-7L	Meta Shock Foot Module 28cm Right Category 7 Low Impact
M005-28R-7M	Meta Shock Foot Module 28cm Right Category 7 Medium Impact
M005-28R-7H	Meta Shock Foot Module 28cm Right Category 7 High Impact
M005-28R-8L	Meta Shock Foot Module 28cm Right Category 8 Low Impact
M005-28R-8M	Meta Shock Foot Module 28cm Right Category 8 Medium Impact
M005-28R-8H	Meta Shock Foot Module 28cm Right Category 8 High Impact
M005-28R-9L	Meta Shock Foot Module 28cm Right Category 9 Low Impact
M005-28R-9M	Meta Shock Foot Module 28cm Right Category 9 Medium Impact
M005-28R-9H	Meta Shock Foot Module 28cm Right Category 9 High Impact

CORRESPONDING FOOT SHELL	
Part Number	Description
FS01-28RB	Sandal Toe Foot Shell 28cm Right Buff
FS01-28RT	Sandal Toe Foot Shell 28cm Right Tan
FS01-28RM	Sandal Toe Foot Shell 28cm Right Medium Brown

Maintenance and Cleaning

The Foot Shell can be cleaned with body soap and a damp cloth.

If you expose the Meta Shock Foot to sand, dirt, debris, or salt water:

1. Remove the Foot Shell and Foot Sock.
2. Clean out the sand.
3. Clean the Meta Shock Foot, the Foot Shell, and the Foot Sock with body soap and water.
4. Allow the Foot Shell and Foot Sock to dry before reassembling.

The shock unit is not field serviceable and there is no recommended maintenance schedule.

Patient Advisory Warning

The enclosed Patient Advisory Warning enables you, the prosthetist, to effectively notify your patients of the limitations of the components in their prosthesis, and of the need to monitor their weight and activity levels. Please review the Patient Advisory Warning with the patient upon delivery of a prosthesis with a Meta Shock Foot. The patient and the prosthetist should then sign the Patient Advisory Warning to acknowledge that it has been reviewed and understood by both parties. Give one signed copy to the patient and place one copy in the patient's file.

If a patient's weight or activity level increases after receiving a prosthesis with a Meta Shock Foot, the patient should immediately contact the prosthetist to determine whether replacement components are necessary. If a patient continues to use a prosthesis with a Meta Shock Foot after experiencing an increase in weight and/or activity level, the foot could fail with the possibility of serious injury to the patient.

To ensure that the correct components are selected for each patient, the prosthetist should weigh the patient on scales in the prosthetist's office. Do not rely on the patient's estimate of his/her own weight. Instruct the patient to monitor his/her weight weekly to ensure that it remains in a range appropriate for the prosthetic components being used.

Warranty

The warranty for the Meta Shock Foot is three years from date of patient fitting. Use of the Meta Shock Foot for amputees whose modified body weight is more than 166 kg (365 lbs) or who engage in extremely high and abusive activity is against WillowWood's recommendations and will void the three year warranty. Modified body weight is defined as the weight of the amputee plus any loads carried by the amputee. "Extremely high and abusive activities" are defined as activities that could result in injury to an individual's natural feet; and activities that expose the prosthesis to corrosives such as salt water without adequate rinsing following exposure.

Warranty Disclaimer

WillowWood warrants that each product manufactured will, at the time of delivery, be of workmanlike quality and substantially free of defects. WILLOWWOOD MAKES NO OTHER WARRANTY, IMPLIED, OR EXPRESSED, AND MAKES NO WARRANTY OF MERCHANTABILITY OR FITNESS FOR A PARTICULAR PURPOSE. This warranty shall terminate immediately upon an action to combine our products with other materials or in any manner to change the nature of our products. The sole remedy is replacement of the products or credit for the products. WillowWood's liability shall not exceed the purchase price of the product. WillowWood shall not be liable for any indirect, incidental, or consequential damage.

WillowWood Retention of Rights

WillowWood retains all intellectual property rights reflected or incorporated in its physical products, regardless of the transfer of the physical products to another party or parties.

WillowWood[®]

WillowWood Global LLC
15441 Scioto Darby Road
Mt. Sterling, OH 43143
Phone 740.869.3377 / 800.848.4930
Fax 740.869.4374 www.willowwood.com



Ohio Willow Wood Company B.V
Keizersgracht 62/64
1015 CS Amsterdam
The Netherlands
Patent www.willowwood.com/education-and-resources/patents



©WillowWood Global LLC, 2021 PN 2668-A 05/19/2021